

INSTRUCTION MANUAL FOR

INTERARMS

PM-63C

SEMI-AUTOMATIC PISTOL

CALIBER 9 X 18 MAKAROV



Please call (386) 290-0379 or visit our
website www.pioneer-pac.com

THIS INSTRUCTION MANUAL SHOULD ALWAYS ACCOMPANY THIS FIREARM
AND BE TRANSFERRED WITH IT UPON CHANGE OF OWNERSHIP OR WHEN THE
FIREARM IS LOANED OR PRESENTED TO ANOTHER PERSON.

HISTORIC TREASURES

The history...

The **PM-63 RAK** (short for *Ręczny Automat Komandosów*—"Commandos' Hand-held Automatic") is a Polish 9x18 mm submachine gun, designed by Piotr Wilniewicz (*DESIGNER OF FAMOUS 9 mm VIS PISTOL*) in cooperation with Tadeusz Bednarski, Grzegorz Czubak and Marian Wakalski. The RAK combines the characteristics of a self-loading pistol and a fully automatic submachine gun. It is in effect an early personal defense weapon.

Development of the RAK dates back to the late 1950s when the concept was first proposed at the Warsaw University of Technology in response to a requirement for a light hand-held defensive weapon for rear-echelon soldiers such as gun crews and vehicle drivers. After the death of the chief designer Piotr Wilniewicz in 1960, the submachine gun's development was completed by the state-operated Łucznik Arms Factory (*ARCHER PLANT No. 11*) in the city of Radom, where it was produced until 1977. The PM-63 was accepted into service with the Polish Army and Police in 1965 as the 9 mm submachine gun model 1963.

Today...

INTERARMS, has redesigned this historical firearm to shoot semi-automatic from a closed bolt position. The safety is located at the left rear of the trigger guard. The receiver is made from machined steel. The rear sight is an L-shaped flip type and is marked for 75 and 150 meters distance. The front sight is a fixed blade. . The pistol is equipped with a simple muzzle compensator. This firearm is an ATF approved pistol. The stock has no function and is permanently fixed in its folded closed position.

This pistol is manufactured at the famed Radom Plant in Poland by Interarms. All parts and components are Polish made. The PM-63C pistol comes with 15 and 25 round box magazines.

Specifications

PM-63C

Type	Semi-automatic pistol
Weight	3.5 lb. (1.6 kg) empty / 5.5 lb. (2.52 kg) loaded with short magazine
Length	13.1" (333 mm)
Barrel length	5.9" (150 mm)
Cartridge	9x18 mm Makarov
Action	Closed bolt, semi-auto
Muzzle velocity	Approx. 1050 fps (320 m/s)
Effective range	75 m
Maximum range	150 m
Feed system	15-round or 25-round detachable box magazine
Sights	Flip rear sight, fixed blade front sight

State-By-State Warnings

Certain states require by law that their own specified warning notices in larger-than-normal type be conspicuously included by the manufacturer, distributor or retailer with firearms sold in that state. Pioneer Arms sells its products in compliance with applicable laws and regulations. Because our products may be sold in these states, we include the following:

California:

WARNING

“Children are attracted to and can operate firearms that can cause severe injuries or death. Prevent child access by always keeping guns locked away and unloaded when not in use. If you keep a loaded firearm where a child obtains and improperly uses it, you may be fined or sent to prison.”

Connecticut:

“UNLAWFUL STORAGE OF A LOADED FIREARM MAY RESULT IN IMPRISONMENT OR FINE.”

Florida:

“IT IS UNLAWFUL, AND PUNISHABLE BY IMPRISONMENT AND FINE, FOR ANY ADULT TO STORE OR LEAVE A FIREARM IN ANY PLACE WITHIN THE REACH OR EASY ACCESS OF A MINOR UNDER 18 YEARS OF AGE OR TO KNOWINGLY SELL OR OTHERWISE TRANSFER OWNERSHIP OR POSSESSION OF A FIREARM TO A MINOR OR A PERSON OF UNSOUND MIND.”

Maine:

“ENDANGERING THE WELFARE OF A CHILD IS A CRIME. IF YOU LEAVE A FIREARM AND AMMUNITION WITHIN EASY ACCESS OF A CHILD, YOU MAY BE SUBJECT TO FINE, IMPRISONMENT OR BOTH. KEEP FIREARMS AND AMMUNITION SEPARATE. KEEP FIREARMS AND AMMUNITION LOCKED UP. USE TRIGGER LOCKS.”

Maryland:

“WARNING: Children can operate firearms which may cause death or serious injury. It is a crime to store or leave a loaded firearm in any location where an individual knew or should have known that an unsupervised minor would gain access to the firearm. Store your firearm responsibly!”

Massachusetts:

“WARNING FROM THE MASSACHUSETTS ATTORNEY GENERAL: This handgun is not equipped with a device that fully blocks use by unauthorized users. More than 200,000 firearms like this one are stolen from their owners every year in the United States. In addition, there are more than a thousand suicides each year by younger children and teenagers who get access to firearms. Hundreds more die from accidental discharge. It is likely that many more children sustain serious wounds, or inflict such wounds accidentally on others. In order to limit the chance of such misuse, it is imperative that you keep this weapon locked in a secure

place and take other steps necessary to limit the possibility of theft or accident. Failure to take reasonable preventive steps may result in innocent lives being lost, and in some circumstances may result in your liability for these deaths.”

“IT IS UNLAWFUL TO STORE OR KEEP A FIREARM, RIFLE, SHOTGUN OR MACHINE GUN IN ANY PLACE UNLESS THAT WEAPON IS EQUIPPED WITH A TAMPER-RESISTANT SAFETY DEVICE OR IS STORED OR KEPT IN A SECURELY LOCKED CONTAINER.”

New Jersey:

“IT IS A CRIMINAL OFFENSE TO LEAVE A LOADED FIREARM WITHIN EASY ACCESS OF A MINOR.”

New York:

“THE USE OF A LOCKING DEVICE OR SAFETY LOCK IS ONLY ONE ASPECT OF RESPONSIBLE FIREARM STORAGE. FOR INCREASED SAFETY FIREARMS SHOULD BE STORED UNLOADED AND LOCKED IN A LOCATION THAT IS BOTH SEPARATE FROM THEIR AMMUNITION AND INACCESSIBLE TO CHILDREN AND OTHER UNAUTHORIZED PERSONS.”

North Carolina:

“IT IS UNLAWFUL TO STORE OR LEAVE A FIREARM THAT CAN BE DISCHARGED IN A MANNER THAT A REASONABLE PERSON SHOULD KNOW IS ACCESSIBLE TO A MINOR.”

Texas:

“IT IS UNLAWFUL TO STORE, TRANSPORT, OR ABANDON AN UNSECURED FIREARM IN A PLACE WHERE CHILDREN ARE LIKELY TO BE AND CAN OBTAIN ACCESS TO THE FIREARM.”

Wisconsin:

“IF YOU LEAVE A LOADED FIREARM WITHIN THE REACH OR EASY ACCESS OF A CHILD YOU MAY BE FINED OR IMPRISONED OR BOTH IF THE CHILD IMPROPERLY DISCHARGES, POSSESSES, OR EXHIBITS THE FIREARM.”

Please check with your licensed retailer or state police for additional warnings, which may be required by local law or regulation. Such regulations change constantly, and local authorities are in the best position to advise you on such legal matters.

FIREARMS SAFETY - YOUR RESPONSIBILITY

SAFETY MUST BE THE FIRST AND CONSTANT CONSIDERATION OF EVERY PERSON WHO HANDLES FIREARMS AND AMMUNITION.

This Instruction Manual is designed to assist you in learning how to use and care for your **PM-63C** properly. Please contact us if you have any questions.

Only when you are certain you fully understand the Manual and can properly carry out its instructions should you practice loading, unloading, etc. with live ammunition. If you have any doubts about your ability to handle or use a particular type of gun safely, you should seek supervised instruction. Such personalized instruction is often available from gun dealers, gun clubs or police departments. If none of these sources can help you, write to the National Rifle Association, 11250 Waples Mill, Fairfax, VA 22030-7400. They will assist you.

The person possessing a gun has a full-time job. You cannot guess; you cannot forget. You must know how to use your firearm safely. Do not use any firearm without having a complete understanding of its particular characteristics and safe use. Remember: There is no such thing as a foolproof gun.

GENERAL INFORMATION AND MECHANICAL CHARACTERISTICS

The **PM-63C** is a semi-automatic, magazine-fed, recoil-operated pistol chambered for the 9x18 Makarov cartridges. The following are features with which **PM-63C** users should be thoroughly familiar:



IDENTIFYING PARTS ON YOUR PM-63C



AMMUNITION

WARNING – LEAD EXPOSURE



Discharging firearms in poorly ventilated areas, cleaning firearms, or handling ammunition may result in exposure to lead and other substances known to the state of California to cause birth defects, reproductive harm, and other serious physical injury. Have adequate ventilation at all times. Wash hands thoroughly after exposure.

SHOOTING OR CLEANING GUNS MAY EXPOSE YOU TO LEAD.

The **PM-63C** pistols are chambered for the 9x18 Makarov cartridges. Do not attempt to load any other cartridges into the magazine or chamber of the pistol.

The pistols are compatible with standard factory ammunition loaded to U.S. SAAMI or international CIP Standards.

AMMUNITION (CARTRIDGES) NOTICE

WE SPECIFICALLY DISCLAIM RESPONSIBILITY FOR ANY MALFUNCTION, DAMAGE OR INJURY WHATSOEVER OCCURRING IN CONNECTION WITH, OR AS A RESULT OF THE USE IN INTERARMS AND PIONEER ARMS FIREARMS OF FAULTY, NON-STANDARD, “REMANUFACTURED”, HAND-LOADED (RELOADED) AMMUNITION OR OF CARTRIDGES OTHER THAN THOSE FOR WHICH THE FIREARM WAS ORIGINALLY CHAMBERED.

Action: The PM-63C design incorporates a hammer and it fires from a closed bolt position. After firing, the slide recoils to the rear and at the same time cocks the hammer and extracts the fired case. The cartridge is fed into the chamber as the slide is returned to its forward position by the recoil spring.

The user must always remember that when fired, pistol automatically reloads and re-cocks itself so that simply pulling the trigger will fire the pistol again. Therefore, an auto-loading pistol user must be particularly conscientious to always keep the pistol pointed in a safe direction.

Initial cocking: To cock the pistol, retract the slide to its rear position by pulling it firmly backwards. When the slide reaches its rearmost position, release it. Note - the slide can now fly forward and chamber a cartridge.

For this reason and as an essential safety practice, the user should always be careful to keep fingers away from the trigger and always keep the pistol pointed in a safe direction.

Safety: It is located on the left hand upper rear side of the pistol grip. **SAFE** - to engage the safety, rotate the safety lever all the way up. In this position safety will be in line with the barrel, the red dot will be covered by the safety lever and will not be visible (Figure 1). The safety works when the pistol is either cocked or un-cocked. **SAFETY OFF** - to disengage the safety, rotate the safety lever all the way down towards the rest located on the pistol grip. In this position safety lever will be perpendicular to the barrel, the red dot indicator will be visible (Figure 2).



Fig. 1



Fig. 2

Magazines: The PM-63C magazines are original PM-63 issue and no other magazine is approved for use in this pistol. PM63-C comes with two magazines, one short 15-round magazine and one long 25-round magazine.

INCORRECT, DEFECTIVE, DAMAGED, RUSTY, NON-STANDARD OR IMPROPERLY ASSEMBLED MAGAZINES MUST NEVER BE USED. THEY CAN CAUSE THE PISTOL TO MALFUNCTION.

WARNING – AMMUNITION



Death, serious injury and damage can result from use of the wrong ammunition, bore obstructions, powder overloads or incorrect cartridge components. Even the strongest gun can be “blown up” as a result of excess pressure. Always wear shooting glasses and hearing protection.

**FIREARMS ARE DANGEROUS WEAPONS – READ THE INSTRUCTIONS AND WARNINGS IN THIS MANUAL THOROUGHLY AND CAREFULLY BEFORE USING.
TO LOAD AND FIRE (WITH MAGAZINE)**

Practice this important aspect of safe gun handling with an unloaded pistol until you can perform each of the steps described below with skill and confidence. But before you do anything with the pistol, first read completely through this manual.

1. Be certain the muzzle is pointed in a safe direction.
2. Press the magazine latch forward and remove the magazine from the pistol.
3. Place from the top fifteen or fewer 9x18 mm cartridges into the short magazine, or twenty-five or fewer cartridges into a long magazine. (Figure 3)



Fig. 3

4. Insert the magazine into the magazine well in the pistol grip, taking care that the magazine is locked in place by the magazine latch. Slamming the magazine into the receiver forcibly is not necessary.
5. Hold the pistol firmly in the shooting hand with trigger finger outside the trigger guard. Keep the pistol pointed in a safe direction. With the palm of the other hand grasp the slide and move it to the rear as far as it will go. Use care to not place any part of your hand in front of the muzzle. When released, the slide will fly forward to strip the top cartridge from the magazine and chamber it. The hammer automatically moves to the cocked position when the slide is retracted to the rear.

WARNING: *The pistol is ready for instant use when the trigger is pulled once the slide moves fully forward. Be careful!*

6. If the pistol is not to be used immediately, the magazine should be removed and the chamber unloaded.
7. The pistol is ready for instant use. When the pistol is in the “cocked” mode, pulling the trigger all the way to the rear will fire the first shot. Subsequent shots are fired in the same way by releasing and then pulling the trigger until the magazine is empty. The hammer is cocked by the slide as it recoils from each shot. After a shot is fired, the trigger must be allowed to move fully forward.
8. Immediately following the firing of a shot, and if a subsequent shot is not to be fired at once, place the pistol on SAFE. When done shooting remove the magazine and remove the loaded cartridge from the chamber. If the slide is closed, the shooter should always assume that there is a cartridge in the chamber! Don't rely on your memory to know if a gun or magazine is loaded. Visually inspect the magazine and chamber.

WARNING: The pistol is ready for instant use when the trigger is pulled once the slide moves fully forward. Be careful!

Do not load the pistol until you are ready to use it and unload it immediately when you have completed shooting.

The pistol may fire if dropped or struck. Keep chamber empty unless actually firing!

For maximum safety when carrying the pistol with a loaded magazine in place, the chamber should be empty and the safety should be on.

The user should never depend on any mechanical device to justify careless handling or permitting the pistol to point in an unsafe direction. The shooter should always be alert to the possibility of accidental discharge. The only absolutely safe pistol is one in which the chamber is empty and there is no magazine in the gun.

INCORRECT, DEFECTIVE, DAMAGED, RUSTY, NON-STANDARD OR IMPROPERLY ASSEMBLED MAGAZINES MUST NEVER BE USED. THEY CAN CAUSE THE PISTOL TO MALFUNCTION.

DO NOT LOAD AND FIRE WITHOUT THE MAGAZINE!!!

TO UNLOAD

Removing the magazine does not unload the pistol! To unload, first remove magazine, then pull the slide to the rear, eject chambered cartridge, and visually inspect chamber to be sure it is empty. Always point the pistol in a safe direction when loading or unloading.

WARNING: This sequence must be followed exactly as outlined. Failure to do so can result in the chamber being unintentionally loaded with a live cartridge!

1. The muzzle of the pistol must be pointing in a safe direction at all times and fingers should be outside of the trigger guard.
2. Remove the magazine from the pistol by pushing the magazine latch forward.

3. Hold the pistol firmly and grasp the slide. Retract the slide to its rearmost position briskly to extract and eject any chambered cartridge. Always visually double-check that the chamber, breech-face and the interior of the receiver are clear of any live rounds.

THE PISTOL WILL FIRE WITH THE MAGAZINE REMOVED.

Always keep fingers away from trigger! Never put any part of your hand or body over the muzzle while retracting the bolt for loading, unloading, inspection or clearing malfunction.

KEEP HANDS AWAY FROM MUZZLE AND FINGER OFF TRIGGER.

4. To close the slide, again check to be sure the chamber and breech-face are empty. Pull the slide to its rearmost position and release it. The slide will snap forward. Keep fingers out of ejection port on top of slide! Keeping the muzzle in the safe direction, press the trigger to release the hammer.
5. If the magazine contains cartridges, they can be removed by sliding each cartridge forward and out of magazine, one at a time, until the magazine is empty.
6. Push empty (unloaded) magazine into the magazine well in the pistol grip until magazine latch locks it in place.

REMEMBER that even though the magazine has been removed, a live round remaining in the chamber can still be fired.

TO EXTRACT AND EJECT A CHAMBERED CARTRIDGE

When the pistol is fired, the same gas pressure that drives the bullet forward also acts through the cartridge case to push the bolt to the rear. The action causes extraction and ejection of the fired cartridge case. If a cartridge fails to fire or if the shooter wishes to eject the chambered cartridge manually, follow the procedure "To Unload" step 3. When the slide is operated by hand, there can be a failure to extract the cartridge from the chamber, or a failure to eject the cartridge clear of the pistol. These failures usually are the result of the slide not being pulled rearward vigorously and then released. From the foregoing, it is clear that the gun user must:

1. Always visually check the chamber and the breech-face after opening the slide to eject a chambered cartridge. If the slide is not vigorously retracted when being operated by hand, the extracted cartridge can be "ejected" into the magazine-well or remain held to the breech-face by the extractor.
2. Thoroughly clean the chamber and the extractor as often as necessary. If an empty magazine is in the pistol when the bolt is being hand retracted to extract a cartridge, the cartridge may drop on top of the magazine or remain held to the breech-face by the extractor. Then when the bolt goes forward, the cartridge will be chambered again!

Remember — always remove the magazine before clearing the chamber, and visually ensure that no cartridges remain in the gun.

TO CLEAR A MALFUNCTION (“JAM”)

1. Be certain the muzzle is continually pointed in a safe direction.
2. If possible, remove the magazine. It may be necessary to manually remove a jammed cartridge that has only been partially stripped from the magazine. If so, use extreme care. Move the slide all the way to its rearward position and hold it firmly with one hand, before attempting to clear the jam. Moving the slide fully to the rear may bring the jammed cartridge along.
Keep your face away from the ejection port during this operation. When attempting to clear a jam, use only wood “tools” so that the cartridge will not be damaged or the primer ignited. A 3/16” pointed hardwood dowel is useful.
3. Visually check to make sure that all cartridges have been removed from the pistol. Safely dispose of any cartridges involved in a malfunction incident. Do not use damaged ammunition in any firearm.

Any auto-loading pistol may occasionally malfunction. If a cartridge hangs up, jams or binds when being chambered, do not attempt to force it into the chamber by pushing or striking the slide. Carefully remove it. Most failures of a cartridge to feed or to chamber properly are caused by a damaged magazine, incorrect gun handling, insufficient lubrication, or improper or oversized ammunition. Whatever the cause, the user of the pistol must, above all, recognize that any cartridge jam can result in the very potentially dangerous situation of a cartridge discharging before it is properly chambered. If this happens, the cartridge case may rupture and its fragments fly out of the ejection port of the pistol with sufficient force to cause serious injury. Always wear shooting glasses!

TO MINIMIZE MALFUNCTIONS (“JAMS”)

1. If it appears that the type of ammunition being used caused the jam, try another brand, type, or lot number. Remember — use only factory ammunition of the correct caliber.
2. If changing ammunition does not at once eliminate malfunctions, then the following steps should be taken:

Thoroughly clean the pistol, paying particular attention to the removal of accumulated grease and dirt. Use a bristle brush and solvent to remove grease and fouling from the breech-face, extractor, chamber, and feed ramp area immediately behind the chamber.

Check to be sure that the magazine spring firmly returns the magazine follower to the top of the magazine.

Check the magazine lips to be certain that they are free of nicks and burrs and that they are not deformed or cracked.

Remove excess oil and solvent from all cleaned components, load the magazine and try the pistol again. Make sure you are following the correct loading and firing sequence as described in this manual.

If none of the above steps are effective, try a different magazine. If a different magazine does not function correctly, return the pistol and magazine to the Pioneer Arms Corp. Product Service Department (386) 290-0379

Alterations to the pistol or use of improper magazines and accessories may cause malfunctions.

TO DISASSEMBLE
Be sure pistol is unloaded!

1. Keep pistol pointed in a safe direction. Press the magazine latch forward and withdraw the magazine from the receiver of the pistol (see Figure 4).
2. Inspect the chamber and verify that it is empty.



Fig. 4

3. Move the slide to place indicator mark on the lower receiver between two indicator marks on the slide and put the safety ON. Indicator marks are located on the left hand side of the slide and lower receiver, same side where safety lever is located (see Figure 5).



Fig. 5

4. Turn the barrel clockwise until it will stop (see Figure 6)



Fig. 6

5. Keep slide with one hand, move the safety OFF, and move slide forward until it disengages from the lower receiver (see Figure 7).



Fig. 7

6. Lift the slide up and disconnect the recoil mechanism (see Figure 8).



Fig. 8

7. Turn the barrel with the locking ribs up (see Figure 9), move it back and up to remove it from the slide (see Figure 10).



Fig. 9



Fig. 10

8. The pistol is now disassembled for cleaning (see Figure 9).
No further disassembly is recommended.

TO REASSEMBLE

1. Be certain chamber and magazine are empty.
2. Holding the barrel with locking ribs up place it in the slide (see Figure 9).
3. Turn the barrel clockwise until full stop. (see Figure 11).
- 4.



Fig. 11

5. Install the recoil mechanism in the lower receiver, make sure recoil guide goes first to the receiver (see Figure 12).



Fig. 12

6. Install the side on the lower receiver, and move it to place the indicator mark on the lower receiver between two indicator marks on the slide and put the safety ON (see Figure 8, 7 and 5).
7. Turn the barrel counter clockwise until it stops (see Figure 13). Disengage safety with the thumb of one hand holding at the same time the slide with other hand, slide will move forward (see Figure 14).



Fig. 13



Fig. 14

8. Work the slide a few times to check the action. Do not dry fire your PM63-C. As with any gun, dry firing should be avoided.
9. Replace empty magazine onto the magazine well of the pistol located in the pistol grip.

SHOOTING

*** SPECIAL SAFETY INSTRUCTIONS ***

DURING FIRING THE SLIDE MOVES BACK QUITE EXTENSIVELY. ON THE PICTURE BELOW YOU CAN SEE MOST REAR POSITION OF THE SLIDE (SEE FIGURE 15).



FIG. 15

IN ORDER TO PREVENT INJURIES DURING THE SHOOTING HOLD THE PISTOL FIRMLY UPRIGHT (SEE FIGURE 16).



FIG. 1

MAGAZINE INSPECTION AND CARE

Check the magazine frequently. The magazine follower must move freely and have adequate tension so that each cartridge is quickly raised to the feeding position. The magazine lips should be clean and free of cracks, dents, or nicks so that cartridges are held in their proper feeding position.

If the magazine becomes dirty, it should be disassembled and thoroughly cleaned. The following disassembly instructions apply:

Snap-On Base - Use a punch to press in on the magazine spring seat where it protrudes into the hole in the magazine floor plate. Slide the magazine floor plate toward the front of the magazine, taking care to prevent the forcible ejection of the magazine spring seat and compressed magazine spring. Withdraw the magazine spring seat and magazine spring from the magazine body. Turn magazine upside down and remove magazine follower. Reassemble in reverse order.

When cleaning is necessary, use a solvent that will not rust the metal components or adversely affect the magazine body. After the magazine has been soaked to loosen foreign matter, be certain to shake it vigorously (with the loading opening away from you) to remove solvent or residue from within the magazine. Penetrating oils and solvents inside a magazine can “kill” or weaken cartridge primers or powder, which can result in failures to fire or other possibly dangerous malfunctions such as leaving a bullet in the bore!

After cleaning, always check to be certain that the magazine follower movement and tension are correct, and that no solvent or debris remain. Improper reassembly of the magazine spring can cause failure to feed, which is a potentially dangerous malfunction. If cleaning does not restore proper tension, or if you experience a problem with the magazine, don't use it. Get a different one and try again.

CARE AND CLEANING

Make Sure Gun Is Unloaded!

BEFORE CLEANING, BE CERTAIN THE PISTOL AND ITS MAGAZINE CONTAIN NO CARTRIDGES.

Your pistol is a precision instrument and to insure reliable function it is necessary to follow a routine maintenance procedure. After firing your pistol, be sure to unload it following the procedure outlined in the section entitled “Unloading” before any cleaning or maintenance procedure. Your pistol should be cleaned by brushing the barrel bore and chamber with a good powder-removing solvent and bore brush. Wipe the areas clean with patches or a swab. Using a small brush dipped in solvent, remove all deposits from around the breech of the barrel, chamber, extractor and adjacent areas, which have been subjected to the action of powder or primer residue. Remove any residue on the receiver and upper receiver with light brushing and a solvent. After cleaning the entire gun, use cloth to apply a light coating of high quality gun oil to all external surfaces and wipe clean. Also please make sure that you apply a few drops of oil to the trigger and hammer mechanisms.

For a more detailed cleaning, the pistol should be disassembled as described in the section “TO DISASSEMBLE”.

STORAGE
GUNS SHOULD NOT BE STORED LOADED!

Never place or store any firearm in such a manner that it may be dislodged. Firearms should always be stored securely and unloaded, away from children and careless adults. For increased safety, firearms should be stored unloaded and locked in a location that is both separate from their ammunition and inaccessible to children and any other unauthorized person.

SERVICE

Should your pistol require adjustment, refinishing or repair, it is required by law that it be returned to the factory in unloaded condition.

WARNING - BEFORE SHIPPING ANY FIREARM, BE ABSOLUTELY CERTAIN THAT IT AND ITS MAGAZINE ARE UNLOADED. DO NOT SHIP CARTRIDGES WITH A FIREARM.

In shipping the pistol, be sure to adhere to the following rules:

Individuals who wish to return the pistol for service can do so by shipping it prepaid to the address below. No return authorization is required.

Include a letter of instruction, full name, address, telephone number and the gun's serial number. This will ensure prompt service and handling. Once your pistol has been received, anything other than warranty work will receive a quotation.

You will be notified of full charges and no work will commence before receiving your approval of our quotation.

All quotations are payable by money order, Visa and Master Card only. No COD's or personal checks will be accepted.

Please return your pistol to:

PIONEER ARMS CORP.
1725 S NOVA RD UNITS D 6 & 7
SOUTH DAYTONA, FL 32119
(386) 290-0379

MANUFACTURER – PIONEER ARMS WARRANTY
ONE (1) YEAR LIMITED WARRANTY

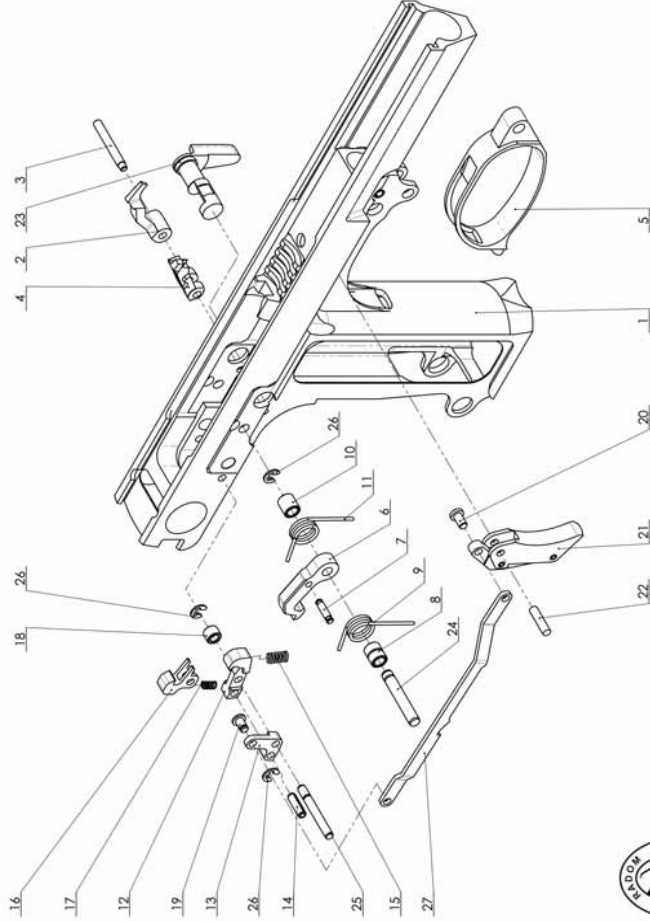
Interarms Radom, Poland, warrants to the original retail purchaser, that the PM-63C pistol will be free of defects in material and workmanship for a period of one (1) year from the date of purchase.

All warranty works shall be performed by the Pioneer Arms Corp., 1725 S Nova Rd Units D 6 & 7 South Daytona, FL 32119

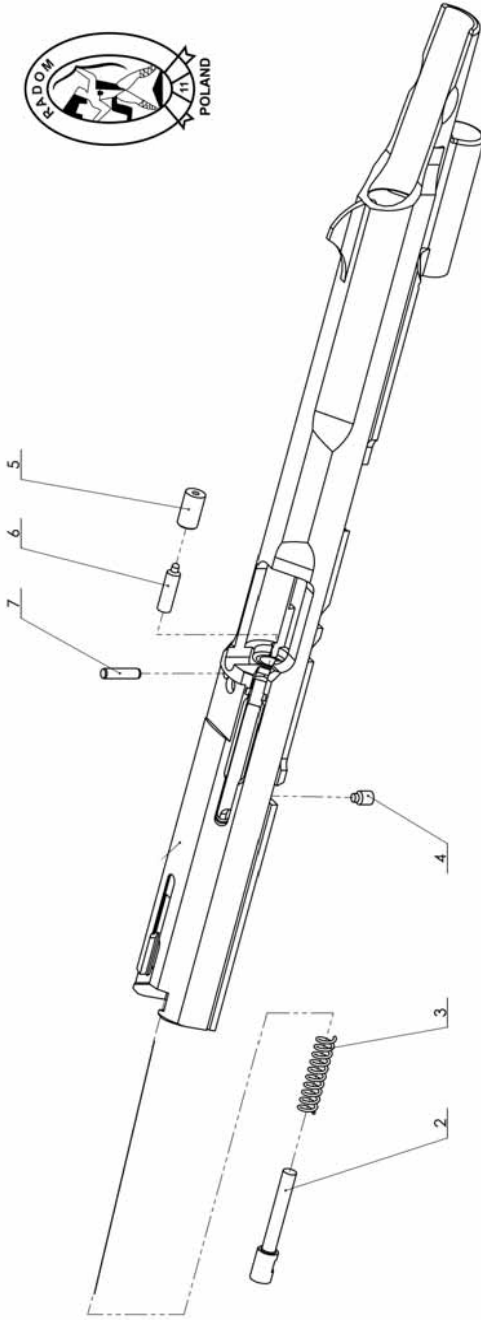
This warranty does not cover the cosmetic appearance of the PM-63C pistol or any damage caused by abuse, misuse, neglect and alternations or modifications of the firearm.

For PM-63C pistol parts and service please contact Pioneer Arms Corp., South Daytona, FL.

27	PM-63C-10-28	Trigger Bracket	1
26	PM-63C-10-26	Seger	3
25	PM-63C-10-24	Catch Pin	1
24	PM-63C-10-12	Hummer pin	1
23	PM-63C-10-36	Safety Lever	1
22	PM-63C-10-30	Trigger pin	1
21	PM-63C-12-00	Trigger Assembly	1
20	PM-63C-10-29	Trigger Pivot	1
19	PM-63C-10-27	Pivot	1
18	PM-63C-10-25	Catch Bushing Spacer	1
17	PM-63C-10-23	Single Fire Catch Spring	1
16	PM-63C-10-22	Single Fire Catch	1
15	PM-63C-10-21	Hammer Catch Spring	1
14	PM-63C-10-20	Roll Pin	1
13	PM-63C-10-19	Hammer Catch Lever	1
12	PM-63C-10-18	Hammer Catch	1
11	PM-63C-10-16	Hammer Spring Right	1
10	PM-63C-10-15	Hammer Bushing Left	1
9	PM-63C-10-14	Hammer Spring Left	1
8	PM-63C-10-13	Hammer Bushing Right	1
7	PM-63C-10-11	Hammer Springs Retaining Pin	1
6	PM-63C-10-10	Hammer	1
5	PM-63C-10-06	Trigger Guard	1
4	PM-63C-10-05	Safety Lever	1
3	PM-63C-10-04	Slide Catch Pin	1
2	PM-63C-10-03	Slide Catch	1
1	PM-63C-11-00	Lower Receiver	1
No.	Part number	Part name	Qty.



INTERARMS - RADOM, POLAND
PM-63C LOWER RECEIVER



7	PM-63C-20-06	Firing Pin Bushing Pin	1
6	PM-63C-20-05	Firing Pin	1
5	PM-63C-20-04	Firing Pin Bushing	1
4	PM-63C-20-03	Striker screw	1
3	PM-63C-20-02	Striker Spring	1
2	PM-63C-20-01	Striker	1
No.	Part Number	Part Name	Qty.

INTERARMS - RADOM, POLAND
PM-63C SLIDE